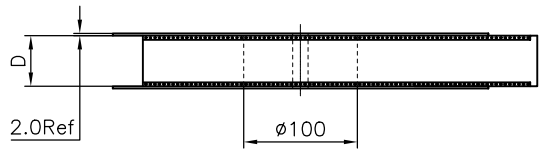
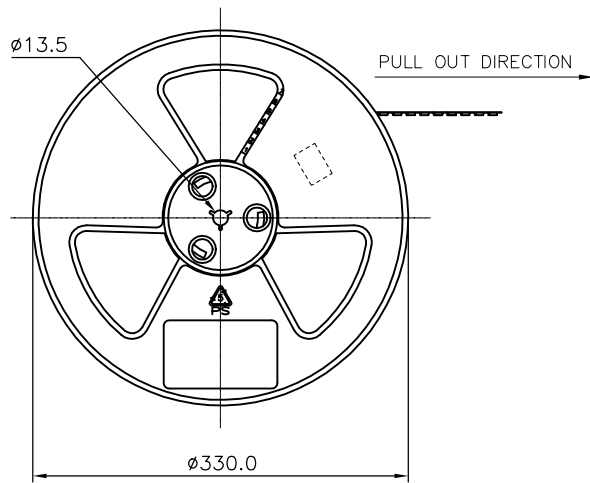


G108



PULL OUT DIRECTION



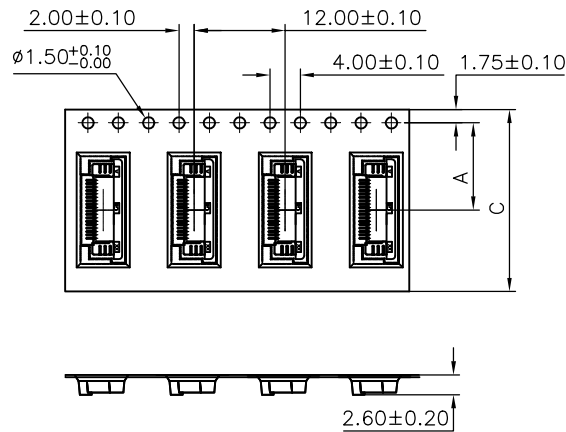
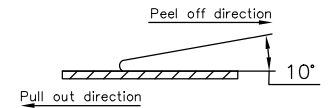
PULL OUT DIRECTION

Empty 150mm/15~17Pcs
End Section

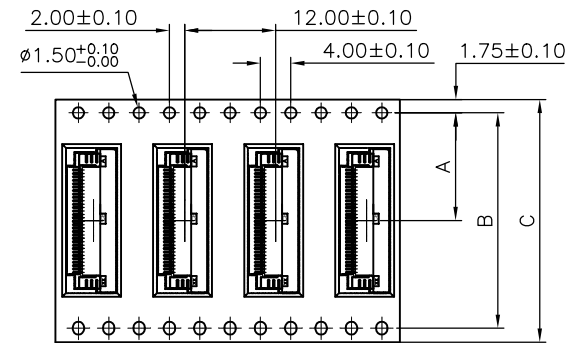


Empty 200mm/20~30Pcs
Start Section

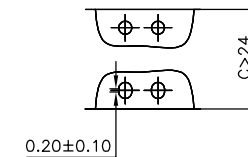
Empty 100~200mm



单边孔



双边孔



DIM TABLE :

PIN NO.	DIM A	DIM B	DIM C	DIM D
05~07	7.50±0.20	-- 单边孔	16.0±0.30	16.4±0.30
08~22	11.50±0.20	-- 单边孔	24.0±0.30	24.4±0.30
23~32	14.20±0.20	28.4±0.20	32.0±0.30	32.4±0.30
33~54	20.20±0.25	40.4±0.20	44.0±0.30	44.4±0.30
55~60	26.20±0.25	52.4±0.20	56.0±0.30	56.4±0.30

Note:
1.Number of connectors:2000 pcs/Reel
2.Peeling off force of top tape 30g~130g

DRAWING:
Frank

CHECKED:
Tony

APPROVAL:
yang jie

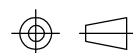
GENERAL TOLERANCE
.X:=±0.30 .X':=±5°
.XX:=±0.20 .XX':=±3°
.XXX:=±0.10 .XXX':=±1°

UNIT: MM

SCALE: 1/1

SHEET: 1/1

PROJECTION:



CHIN-BAN
electronics (H.K) co., ltd

DESCRIPTION:
0.5mm PITCH FPC (upper/Bottom) Packing

PART NO: F2XXXU-XXX3-E/EB

DRAWING NO:

REV: 1.0

SIZE: A4