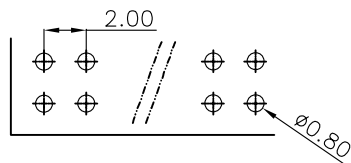
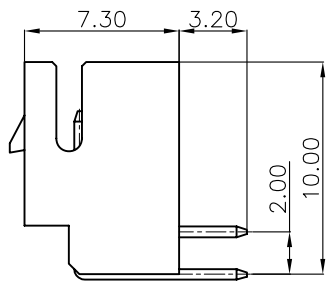
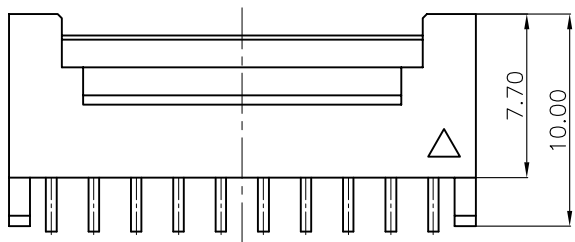
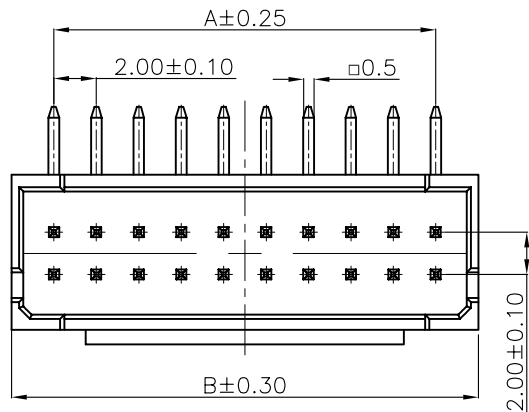




ROHS G103



RECOMMENDED PCB LAYOUT  
(TOLERANCE:±0.10)

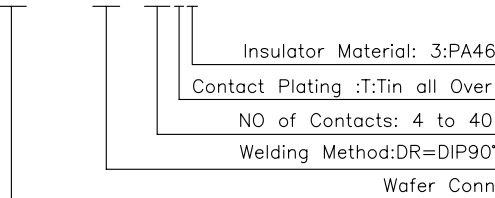
1.ELECTRICAL SPECIFICATIONS:

- 1.1 Rated current and voltage(额定电流):  
3.0A 250V AC(r.m.s)
- 1.2 Dielectric Withstanding Voltage(耐电压) :  
800V AC for one minute
- 1.3 Contact Resistance(接触电阻) :  
20mΩ max
- 1.4 Insulation Resistance(绝缘电阻) :  
1000MΩ min
- 1.5 Operating Temperature(工作温度) :  
-25℃ ~ 85℃
- 2.MATERIAL SPECIFICATION:
- 2.1 Insulator Material(绝缘体材质):  
PA46 UL94V-0
- 2.2 Contact Material(端子材质):  
Brass,Tin Plated
- 2.3 Applicable wire:28AWG TO 22AWG

▲ Non-tooled parts  
No.of positions DIM list:

CONTACTS	DIMENSIONS	
	A	B
4	2.00	6.00
6	4.00	8.00
8	6.00	10.00
10	8.00	12.00
12	10.00	14.00
14	12.00	16.00
16	14.00	18.00
18	16.00	20.00
20	18.00	22.00
22	20.00	24.00
24	22.00	26.00
26	24.00	28.00
28	26.00	30.00
30	28.00	32.00
32	30.00	34.00
34	32.00	36.00
36	34.00	38.00
38	36.00	40.00
40	38.00	42.00

PART NO. LEGEND:  
WB2013DR-XXT3



DRAWING:  
Hu yatao

GENERAL TOLERANCE

.X:=±0.30 .X':=±2°  
.XX:=±0.20 .XX':=±1°  
.XXX:=±0.10 .XXX':=±0.5°

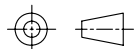
CHECKED:  
Tony

UNIT: MM

PROJECTION:

APPROVAL:  
Yang jie

SCALE: N/A



SHEET: 1/1



**CHIN-BAN**  
electronics (H.K.) co., ltd

DESCRIPTION:

2.00mm Wire To Board Wafer Double Row 90°

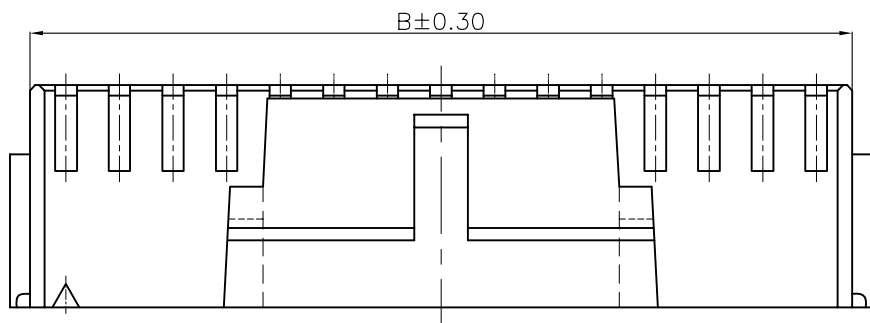
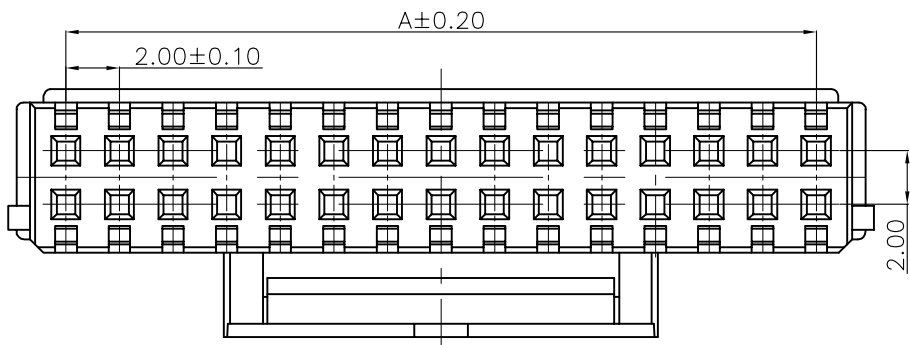
PART NO: WB2013DR-XXT3

REV: 1.0

CUSTOMER NO:

SIZE: A4

ROHS G103

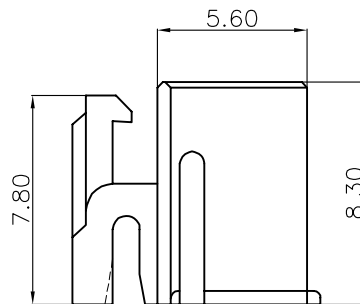


1.ELECTRICAL SPECIFICATIONS:

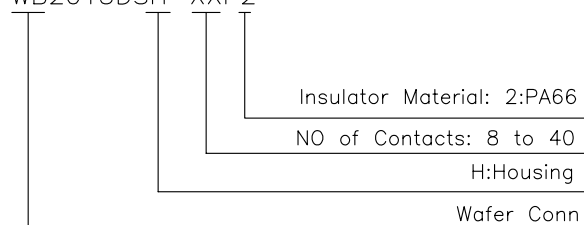
- 1.1 Rated current and voltage(额定电流):  
3.0A 250V AC(r.m.s)
- 1.2 Dielectric Withstanding Voltage(耐电压) :  
500V AC for one minute
- 1.3 Contact Resistance(接触电阻) :  
20mΩ max
- 1.4 Insulation Resistance(绝缘电阻) :  
1000MΩ min
- 1.5 Operating Temperature(工作温度) :  
-25°C ~ 85°C
- 2.MATERIAL SPECIFICATION:
- 2.1 Insulator Material(绝缘体材质):  
PA66,UL94V-0(nature)
- 2.2 Applicable wire:28AWG-22AWG

▲ Non-tooled parts  
No.of positions DIM list:

CONTACTS	DIMENSIONS	
	A	B
08	6.00	8.70
10	8.00	10.70
12	10.00	12.70
14	12.00	14.70
16	14.00	16.70
18	16.00	18.70
20	18.00	20.70
22	20.00	22.70
24	22.00	24.70
26	24.00	26.70
28	26.00	28.70
30	28.00	30.70
32	30.00	32.70
34	32.00	34.70
36	34.00	36.70
38	36.00	38.70
40	38.00	40.70



PART NO. LEGEND:  
WB2013DSH-XXP2



E				DRAWING: Hu yatao
D				
C				CHECKED: Tony
B				
A				APPROVAL: Yang jie
NO.	DATE	DESCRIPTION	APPROVAL	

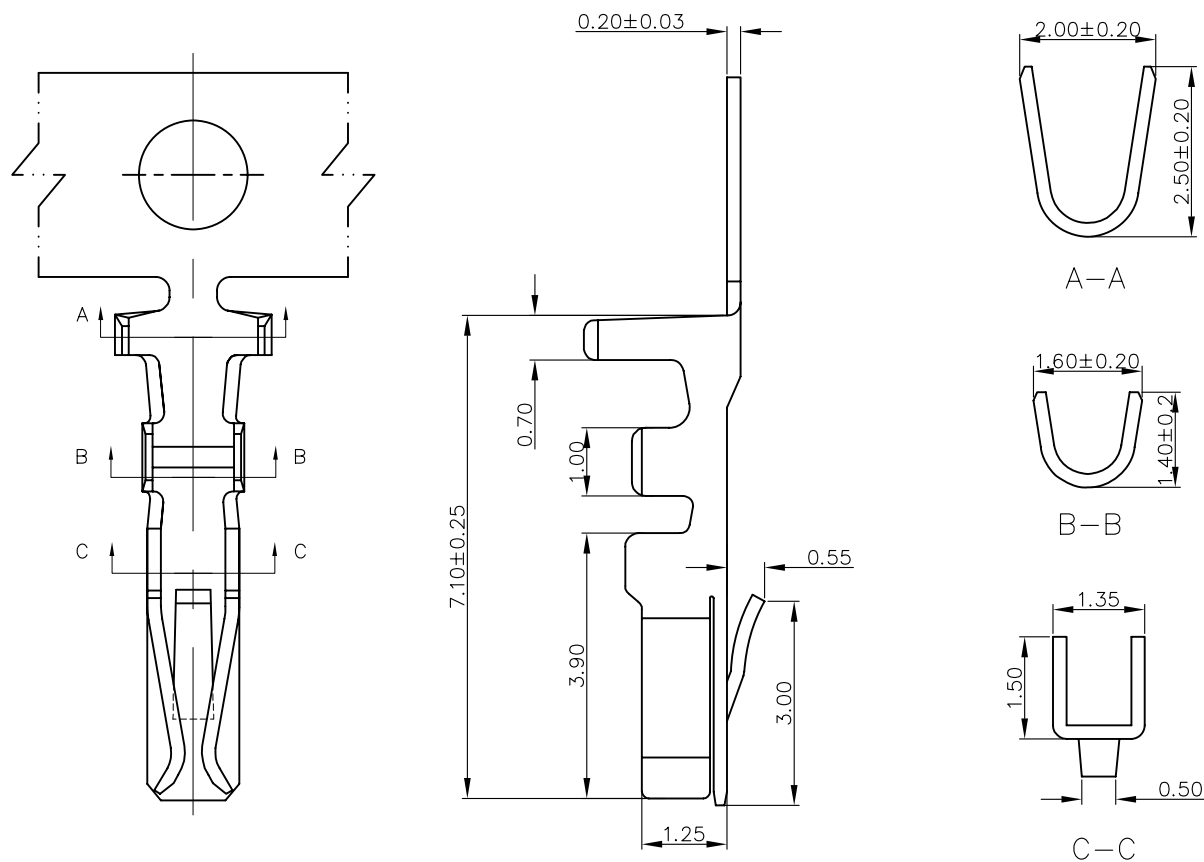
GENERAL TOLERANCE	
.X:=±0.30	.X':=±2°
.XX:=±0.25	.XX':=±1°
.XXX:=±0.15	.XXX':=±0.5°
UNIT: MM	PROJECTION:
SCALE: N/A	
SHEET: 1/1	



**CHIN-BAN**  
electronics (H.K.) co., Ltd

DESCRIPTION: 2.00mm Pitch Housing Double Row	
PART NO: WB2013DSH-XXP2	REV: 1.0
CUSTOMER NO:	SIZE: A4

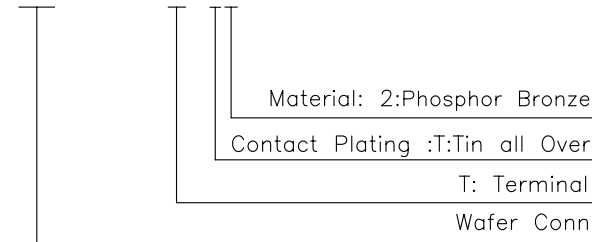
ROHS G103



1.ELECTRICAL SPECIFICATIONS:

- 1.1 Rated current and voltage(额定电流):  
3.0A 250V AC(r.m.s)
- 1.2 Dielectric Withstanding Voltage(耐电压) :  
800V AC for one minute
- 1.3 Contact Resistance(接触电阻) :  
20mΩ max
- 1.4 Insulation Resistance(绝缘电阻) :  
1000MΩ min
- 1.5 Operating Temperature(工作温度) :  
-25℃ ~ 85℃
- 1.6 Material:  
Phosphor Bronze (UL94V-0); Tin
- 1.7 Applicable wire:28AWG-22AWG

PART NO. LEGEND:  
WB2013DST-T2



G	E			DRAWING:	GENERAL TOLERANCE		
	D			Hu yatao	.X:=±0.30	.X':=±2°	
C	C			CHECKED:	.XX:=±0.20	.XX':=±1°	DESCRIPTION: 2.00mm Pitch Terminal
	B			Tony	.XXX:=±0.10	.XXX':=±0.5°	
H	A			APPROVAL:	UNIT: MM	PROJECTION:	PART NO: WB2013DST-T2 REV: 1.0
	NO.	DATE	DESCRIPTION	Yang jie	SCALE: N/A		