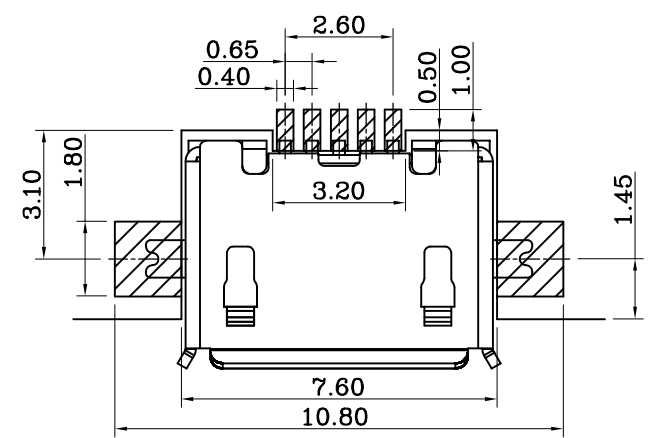
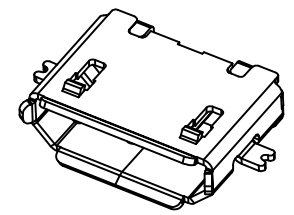


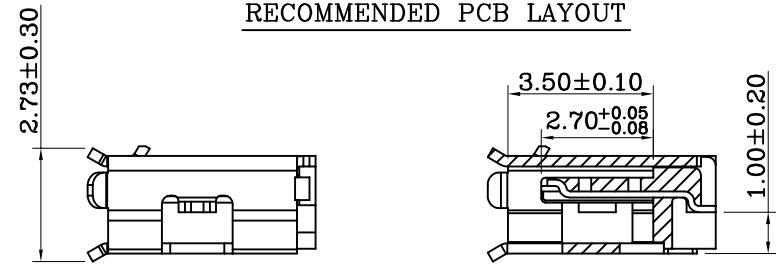
ORDERING INFORMATION

U 6 F 05 H - C X T 2 - B
 (1)(2)(3)(4)(5) (6)(7)(8)(9) (10)

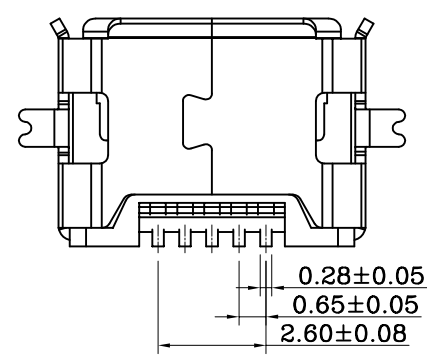
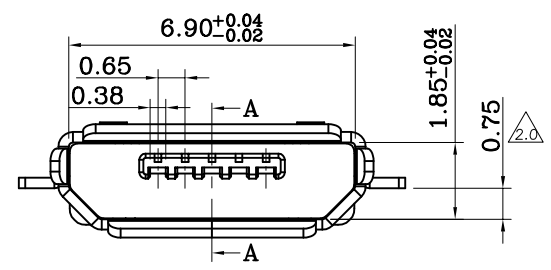
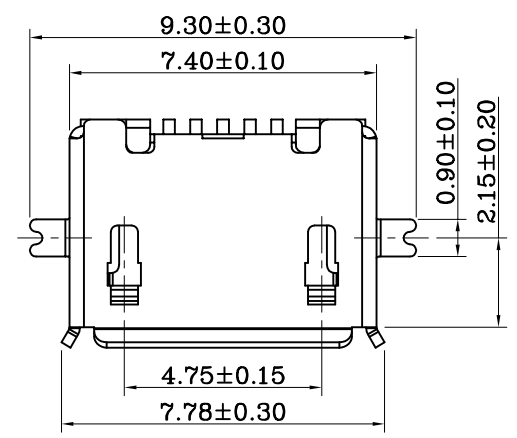
- SERIES NO.
U: USB CONNECTOR SERIES
- USB TYPE
6: MICRO.USB 5Pin
- USB MALE & FEMALE TYPE
F: FEMALE
- NUMBER OF PIN
05: 5 POSITIONS
- TAIL CONSTRUCTION TYPE
H: TERMINAL: DEEP TYPE
SHELL: DEEP TYPE
- HOUSING COLOR
C:COLOR:BLACK AND MATERIAL :LCP
- CONTACT PLATING
1: G/F 2: 5u'GOLD
3: 10u'GOLD 4: 15u'GOLD
5: 30u'GOLD 6: 3u'GOLD
- SHELL PLATING
T: TIN PLATING
- PLASTIC ORIENTATION POST TYPE
2: WITHOUT POST
- B TYPE OR AB TYPE
B: B TYPE



RECOMMENDED PCB LAYOUT



SECTION:A-A



ELECTRICAL

- CURRENT RATING: SIGNAL(PINS 2,3,4):1.0A
POWER(PINS 1,5):1.8A
- CONTACT RESISTANCE:30 MILLIOHMS MAX.
- INSULATION RESISTANCE:1000 MEGOHMS MIN.
- WITHSTANDING VOLTAGE:100V AC/MINUTE
- TEMPERATURE RANGE:-30°C to +85°C

5.0				
4.0				
3.0				
2.0	2017.2.24	Add to dimensioning	Tian Hai	
1.0	2014.5.29	NEW	Xiao Yong	
NO.	DATE	DESCRIPTION	APPROVAL	

DRAWING:	GENERAL TOLERANCE	
Match	.X:±0.30	.X°:±2°
CHECKED:	.XX:±0.20	.XX°:±1°
Tian Hai	.XXX:±0.10	.XXX°:±0.5°
APPROVAL:	UNIT: MM	PROJECTION:
Tian Hai	SCALE: 1/1	
	SHEET: 1/1	

	CHIN-BAN electronics (H.K) co., ltd	
DESCRIPTION:	MICRO USB 5PIN B TYPE DEEP	
PART NO:	U6F05H-CXT2-B	REV: 2.0
DRAWING NO:	UK0136	SIZE: A4

由 Autodesk 教育版产品制作