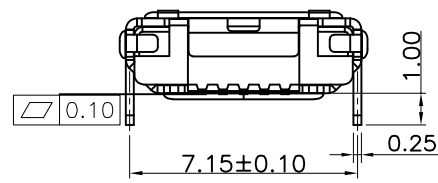
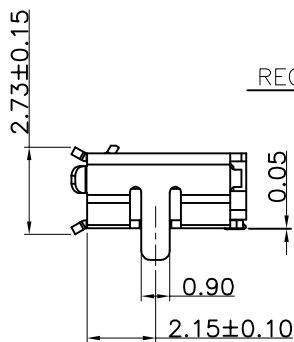
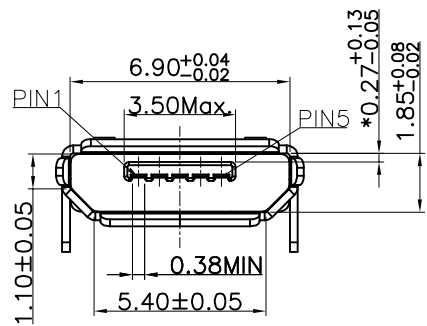


RECOMMENDED PCB LAYOUT

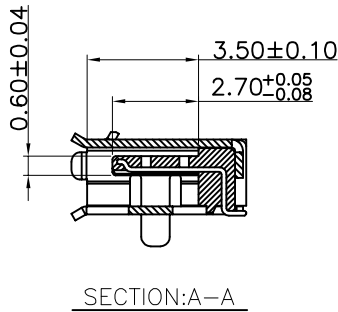


MATERIAL SPECIFICATION:

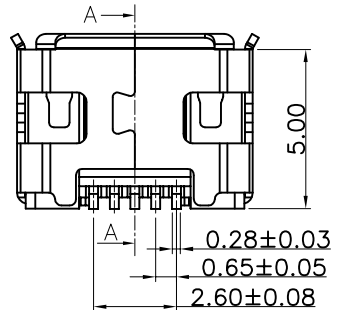
- HOUSING:LCP+30%GF(UL94V-0)
- CONTACT:Phosphor copper(C5191R-H)
- SHELL:SUS304-1/2H

ELECTRICAL PERFORMANCE

- CURRENT RATING: SIGNAL(PINS 2,3,4): 1.0A; POWER(PINS 1,5): 1.8A
- RATED VOLTAGE(MAX.):30 VOLTS AC (RMS)
- DIELECTRIC STRENGTH:100V AC FOR 1 MINUTE BETWEEN ADJACENT TERMINAL, NO BREAKDOWN
- INSULATION RESISTANCE:1000 MEGOHMS MIN. 500V DC FOR 1 MINUTE BETWEEN ADJACENT TERMINAL
- CONTACT RESISTANCE:30 MILLIOHM MAX.
- OPERATING TEMPERATURE:-30° to +85°



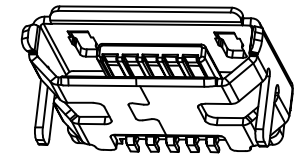
SECTION:A-A



ORDERING INFORMATION

U 6 F 05 E - C X T 2 - B 9
 (1)(2)(3) (4) (5) (6)(7)(8)(9) (10)(11)

- SERIES NO.
U: USB CONNECTOR SERIES
- USB TYPE
6: MICRO.USB 5Pin
- USB MALE & FEMALE TYPE
F: FEMALE
- NUMBER OF PIN
05: 5 POSITIONS
- TAIL CONSTRUCTION TYPE
E: TERMINAL: SMD TYPE
SHELL: DIP TYPE
- HOUSING COLOR
C:COLOR:BLACK AND MATERIAL :LCP
- CONTACT PLATING
1: G/F 2: 5u'GOLD
3: 10u'GOLD 4: 15u'GOLD
5: 30u'GOLD 6: 3u'GOLD
- SHELL PLATING
T: TIN PLATING
- PLASTIC ORIENTATION POST TYPE
2: WITHOUT POST
- B TYPE OR AB TYPE
B: B TYPE
9: FOR SINTAI




5.0			
4.0			
3.0			
2.0			
1.0			
NO.	DATE	DESCRIPTION	APPROVAL

DRAWING:
Bains
CHECKED:
Tian hai
APPROVAL:
Tian hai

GENERAL TOLERANCE
 .X:±0.30 .X':±±2'
 .XX:±±0.20 .XX':±±1'
 .XXX:±±0.10 .XXX':±±0.5'

UNIT: MM PROJECTION:
 SCALE: N/A
 SHEET: 1/1



CHIN-BAN
electronics (H.K.) co., ltd

DESCRIPTION:
Micro USB 5PIN B TYPE

PART NO:U6F05E-CXT2-B9	REV: 6.0
DRAWING NO:UK0020	SIZE: A4