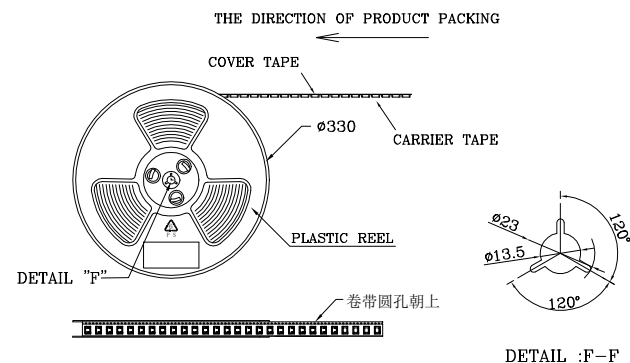
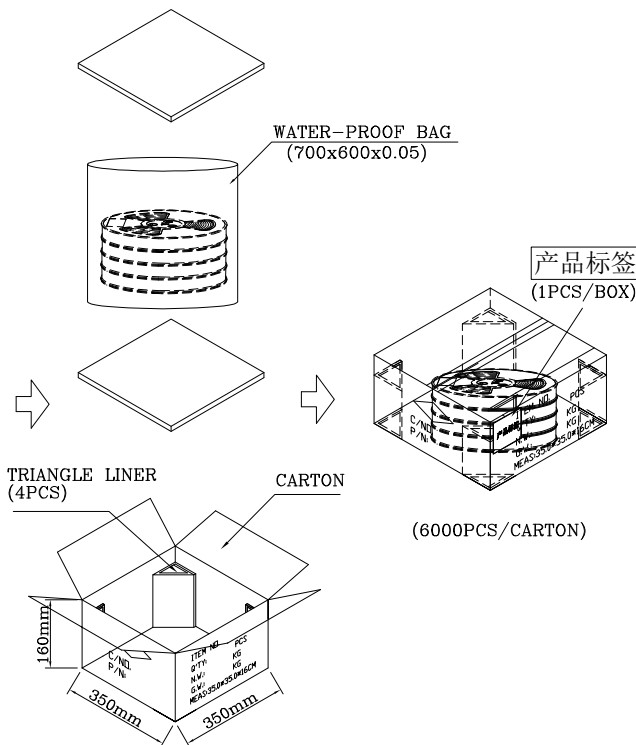
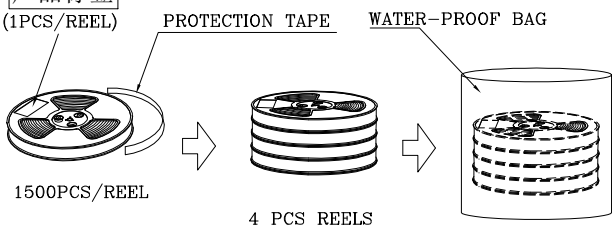


此包装适用产品物料号:

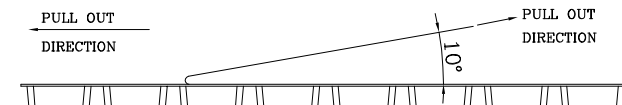
- U6F05E-C□T1-B
- U6F05E-C□T2-B
- U6F05E-C□T1-B8
- U6F05E-C□T2-B8
- U6F05E-C□T2-B9
- U6F05E-C□T1-BD
- U6F05E-C□□1-BS
- U6F05E-C□T1-BW
- U6F05E-C□T2-BW
- U6F05E-C□T2-A7
- U6F05E-C□T2-A8
- U6F05E-C□T2-B21
- U6F05E-C□T2-AB

产品标签
(1PCS/REEL)



Note:

1. Peeling Off Force Of Top Tape: 0.1-1.3N
(Peeling Direction As Shown In Following Fig.)
This Requirement Should Be Applied At Shipment
Peel Off Should Not Be Allowed, During Transportation.



2. Material:

- Carrier Tape: Polystyren(PS)
- Top Tape: PE
- Reel Tape: Polystyren(PS)

PACKING INFORMATION:

PART NAME	PCS/REEL	REEL/CARTON	TOTAL
Micro USB 2.0 SMT+DIP	1500PCS	4PCS	6000PCS

5.0			
4.0			
3.0			
2.0	2015.05.23	修订包装料号表	Tian Hai
1.0		NEW	
NO.	DATE	DESCRIPTION	APPROVAL

DRAWING:	GENERAL TOLERANCE	
Bains	.X: ±0.50	.X°: ±2°
CHECKED:	.XX: ±0.30	.XX°: ±1°
Tian Hai	.XXX: ±0.20	.XXX°: ±0.5°
APPROVAL:	UNIT: MM	PROJECTION:
	SCALE: 1/1	
	SHEET: 1/1	



CHIN-BAN
electronics (H.K) co., ltd

DESCRIPTION:	Tape Reel For Micro USB 2.0 SMT + DIP	
PART NO:	F-U6F05E-C0T0-B	REV: 2.0
DRAWING NO:	UT0048	SIZE: A4