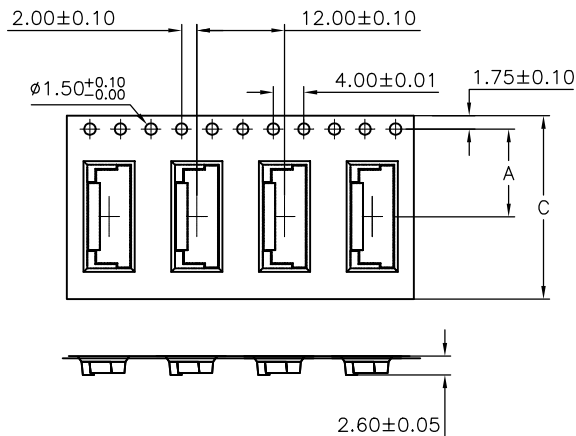
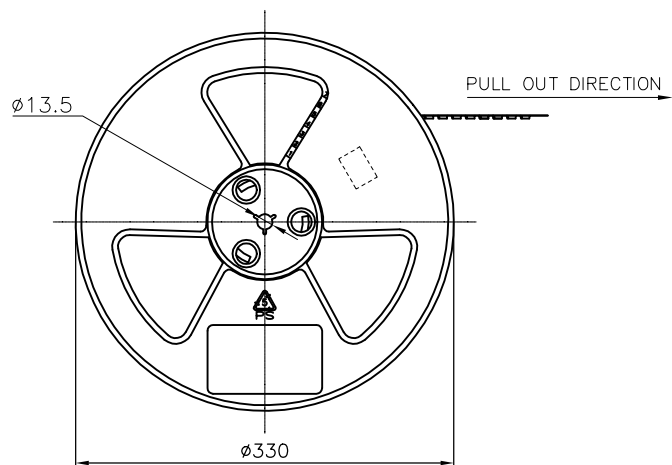
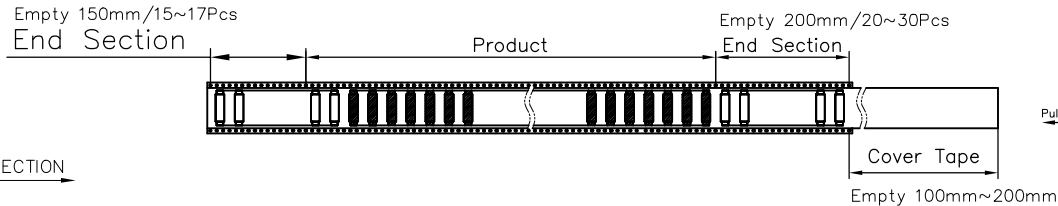
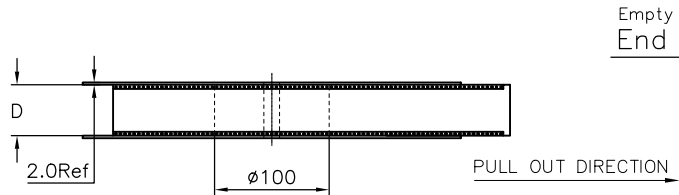
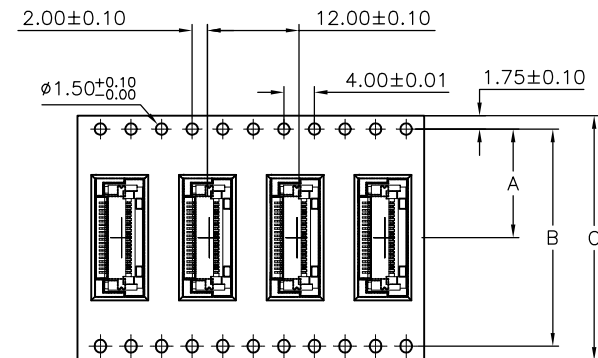


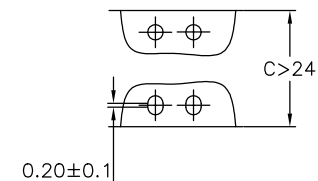
G108



单边孔



双边孔



DIM TABLE :

PIN NO.	DIM A	DIM B	DIM C	DIM D
04~09	7.50±0.20	-- 单边孔	16.0±0.30	16.4±0.30
10~24	11.50±0.20	-- 单边孔	24.0±0.30	24.4±0.30
25~34	14.20±0.20	28.4±0.20	32.0±0.30	32.4±0.30
35~57	20.20±0.25	40.4±0.20	44.0±0.30	44.4±0.30
58~64	26.20±0.25	52.4±0.20	56.0±0.30	56.4±0.30

Note:
 1.Number of connectors:2000 pcs/Reel
 2.Peeling off force of top tape 30g~130g

E				
D				
C				
B				
A				
NO.	DATE	DESCRIPTION	APPROVAL	

DRAWING:
Frank

CHECKED:
Tony

APPROVAL:
yang jie

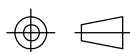
GENERAL TOLERANCE
 .X:=±0.30 .X*:=±5°
 .XX:=±0.20 .XX*:=±3°
 .XXX:=±0.10 .XXX*:=±1°

UNIT: MM

SCALE: 1/1

SHEET: 1/1

PROJECTION:



CHIN-BAN
 electronics (H.K) co., ltd

DESCRIPTION:
 0.5mm PITCH FPC Packing

PART NO: F2GXXU-XXX3-E

DRAWING NO:

REV: 1.0

SIZE: A4