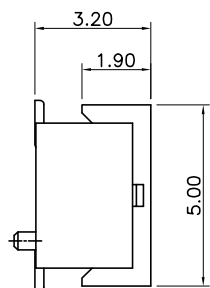
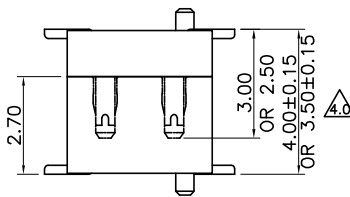
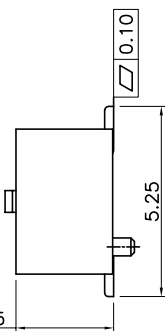
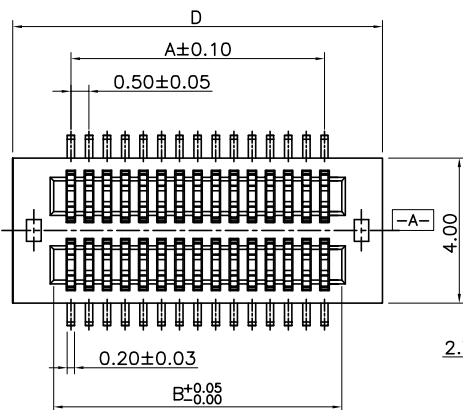


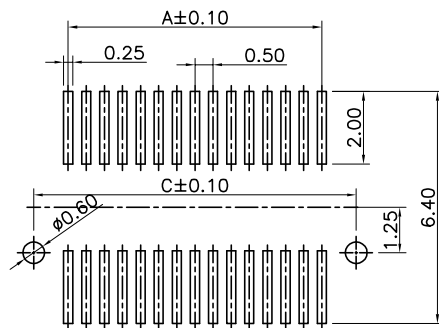
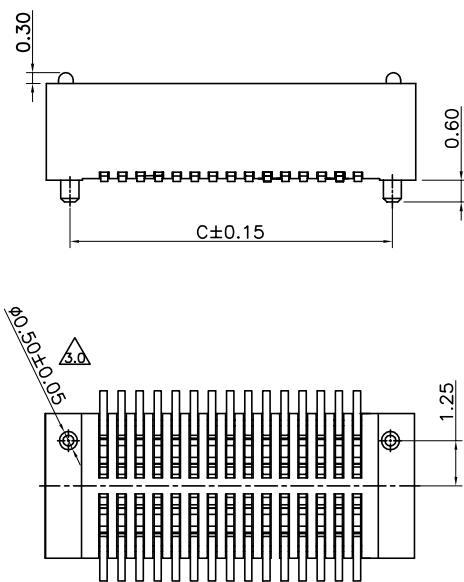
RoHS



WITH CAP



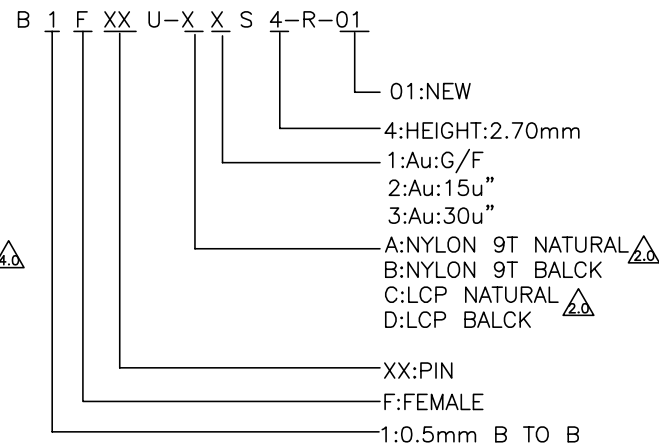
MATING DRAW (REF)



RECOMMENDED PCB LAYOUT

NO.	COMPONENTS	MATERIALS	SPECIFICATION:FINISH/COLOR	QTY.
1	HOUSING	LCP,NYLON9T UL94V-0	NATURAL/BLACK	1
2	TERMINAL	BRASS	THE SURFACE: AU(LAST)	N
3	CAP	LCP,NYLON9T UL94V-0	NATURAL/BLACK	1

NOTE:
1.ALL MATERIAL MUST BE COMPLY WITH RoHS.
2.PART NO. LEGEND:



ELECTRICAL PERFORMANCE

1. RATED VOLTAGE(MAX.):50V AC/DC
2. RATED CURRENT(MAX.):0.5A AC/DC
3. CONTACT RESISTANCE:40 MILLIOHM MAX.
4. INSULATION RESISTANCE:100 MEGOHMS MIN. 250V DC FOR 1 MINUTE BETWEEN ADJACENT TERMINAL
5. DIELECTRIC STRENGTH: 250V AC FOR 1 MINUTE BETWEEN ADJACENT TERMINAL NO BREAKDOWN
6. OPERATING TEMPERATURE: -25° to +85°

Pin	A	B	C	D
2x5	2.00	2.90	3.90	5.20
2x6	2.50	3.40	4.40	5.70
2x7	3.00	3.90	4.90	6.20
2x8	3.50	4.40	5.40	6.70
2x9	4.00	4.90	5.90	7.20
2x10	4.50	5.40	6.40	7.70
2x11	5.00	5.90	6.90	8.20
2x12	5.50	6.40	7.40	8.70
2x13	6.00	6.90	7.90	9.20
2x14	6.50	7.40	8.40	9.70
2x15	7.00	7.90	8.90	10.20
2x16	7.50	8.40	9.40	10.70
2x17	8.00	8.90	9.90	11.20
2x18	8.50	9.40	10.40	11.70
2x19	9.00	9.90	10.90	12.20
2x20	9.50	10.40	11.40	12.70
2x21	10.00	10.90	11.90	13.20
2x22	10.50	11.40	12.40	13.70
2x23	11.00	11.90	12.90	14.20
2x24	11.50	12.40	13.40	14.70
2x25	12.00	12.90	13.90	15.20
2x26	12.50	13.40	14.40	15.70
2x27	13.00	13.90	14.90	16.20
2x28	13.50	14.40	15.40	16.70
2x29	14.00	14.90	15.90	17.20
2x30	14.50	15.40	16.40	17.70

G	5.0			DRAWING:
	4.0	2016.04.07	追加高度尺寸公差	Henry
	3.0	2014.12.17	修订定位柱尺寸公差	XiaoYong
	2.0	2014.9.19	ADDITIONAL NATURAL COLOR	XiaoYong
H	1.0	2014.9.12	NEW	XiaoYong
	NO.	DATE	DESCRIPTION	APPROVAL

				DRAWING:
				Henry
				CHECKED:
				Tian hai
				APPROVAL:
				Tian hai
				GENERAL TOLERANCE
				.X:±0.30 .X':±2'
				.XX:±0.20 .XX':±1'
				.XXX:±0.10 .XXX':±0.5'
				UNIT: MM PROJECTION:
				SCALE: 1/1
				SHEET: 1/1



CHIN-BAN
electronics (H.K) co., ltd

DESCRIPTION:	
0.5mm Board to Board Female 2.70mm Height(New)	
PART NO:	B1FXXU-XXS4-R-01
REV:	4.0
DRAWING NO:	UK0090
SIZE:	A4