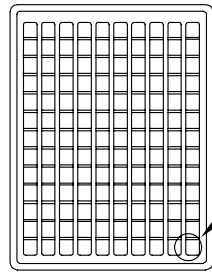


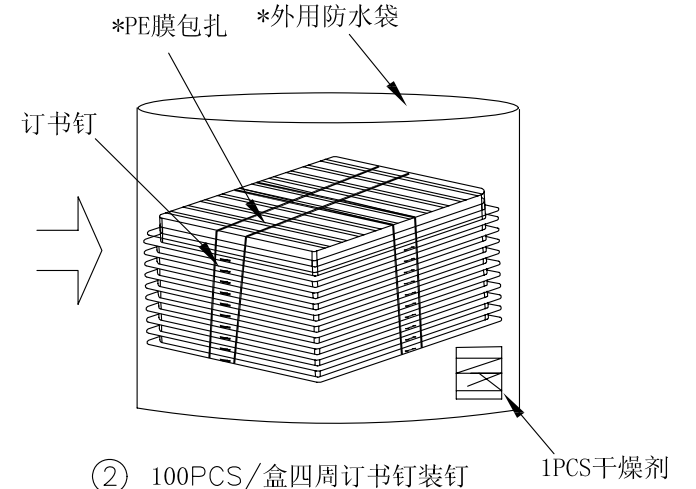
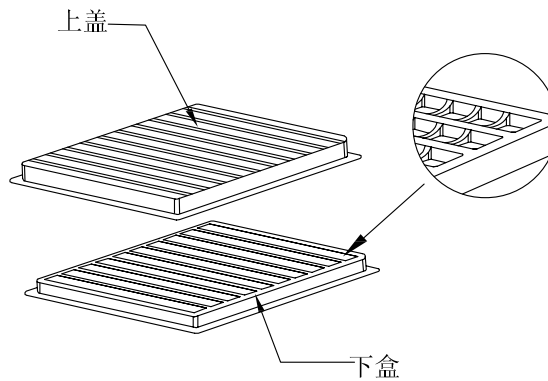
上盖



下盒

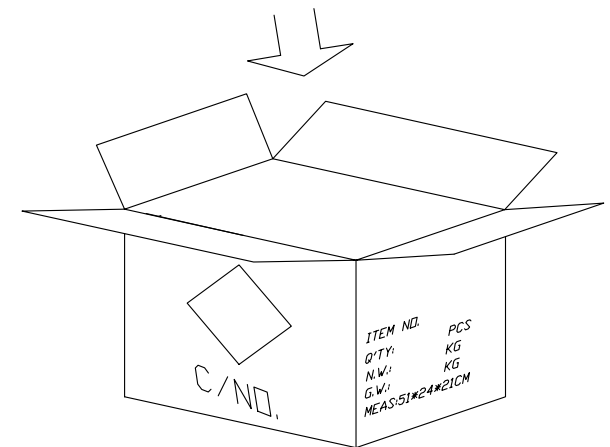
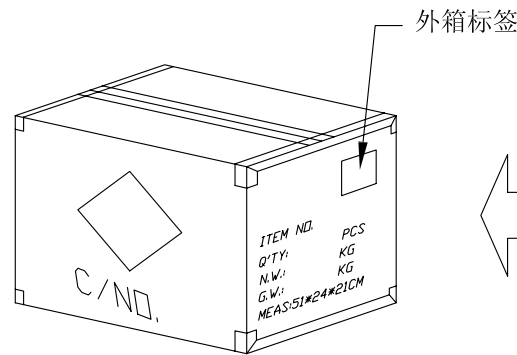
① PE真空盒 (set)

1. PE真空盒 (1Set)
2. 每盒装成品100pcs, 四周并用订书机装订,
3. 每箱装36盒 (3600pcs)
4. 纸箱尺寸 (L*W*H) 51.0*24.0*21.0cm



② 100PCS/盒四周订书钉装订

1PCS干燥剂



③ 若尾数箱在空间处加装填充物

5.0				DRAWING:	GENERAL TOLERANCE			DESCRIPTION:	PART NO:	REV: 1.0
4.0				Henry	.X: =±0.3	.X*: =±2*				
3.0				CHECKED:	.XX: =±0.20	.XX*: =±1*	DESCRIPTION:	PART NO:	REV: 1.0	
2.0					.XXX: =±0.100	.XXX*: =±0.5*				USB Connector A Type FEMALE DIP
1.0	15.7.23	NEW	Tian hai	APPROVAL:	UNIT: MM	PROJECTION:		PART NO:	F-U1F04C-BXN-3A	REV: 1.0
NO.	DATE	DESCRIPTION	APPROVAL		SCALE: 1/1			DRAWING NO:		SIZE: A4
	1	2	3		SHEET: 1/1					