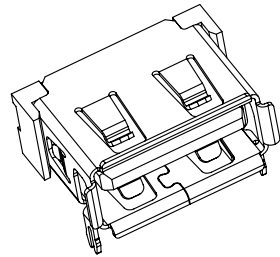
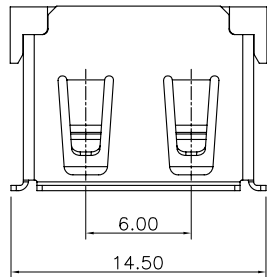


1 2 3 4 5 6 7 8

A B C D E F G H



3D VIEW

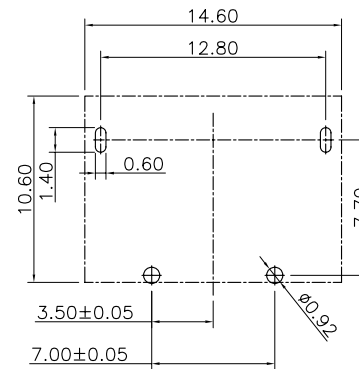
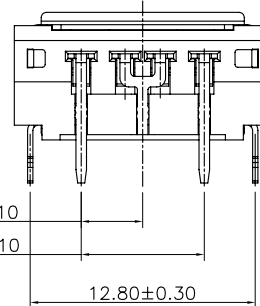
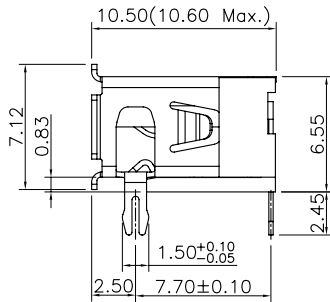
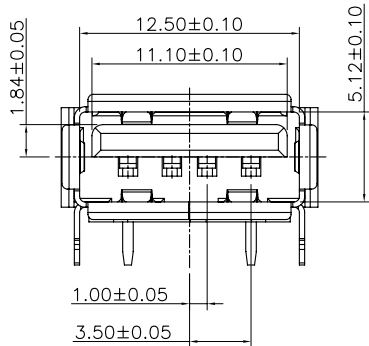
MATERIAL SPECIFICATION:

1. HOUSING:PBT/LCP PLASTIC(UL94V-0) COLOR:BLACK
 2. CONTACT:PHOSPHOR BRONZE
 3. SHELL:BRASS/SPCC
- ELECTRICAL PERFORMANCE
1. RATED VOLTAGE(MAX.):30V AC/DC
 2. RATED CURRENT(MAX.):1.5A AC/DC
 3. DIELECTRIC STRENGTH:500V AC FOR 1 MINUTE BETWEEN ADJACENT TERMINAL, NO BREAKDOWN
 4. INSULATION RESISTANCE:1000 MEGOHMS MIN. 500V DC FOR 1 MINUTE BETWEEN ADJACENT TERMINAL
 5. CONTACT RESISTANCE:30 MILLIOHM MAX.
 6. OPERATING TEMPERATURE:-0° to +50°

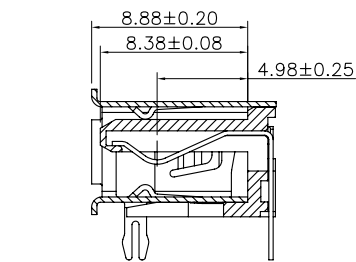
ORDERING INFORMATION

U 1 F 04 X - X X N - 3 A
 (1)(2)(3) (4) (5) (6)(7)(8) (9)(10)

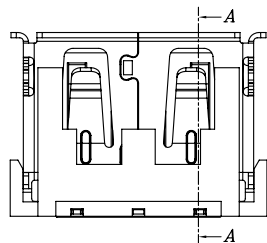
1. SERIES NO.
U: USB CONNECTOR SERIES
2. USB TYPE
1: USB 4PIN A TYPE
3. USB MALE & FEMALE TYPE
F: FEMALE
4. NUMBER OF PIN
04: 4 POSITIONS
5. TAIL CONSTRUCTION TYPE
C: TERMINAL: DIP TYPE SHELL: DIP TYPE
SHELL MATERIAL:SPCC
D: TERMINAL: DIP TYPE SHELL: DIP TYPE
SHELL MATERIAL:BRASS
6. HOUSING MATERIAL
A: MATERIAL:PBT,BLACK B: MATERIAL:PBT,WHITE
C: MATERIAL:LCP,BLACK D: MATERIAL:LCP,WHITE
7. CONTACT PLATING:
1: GOLD FLASH OVER NICKEL ON CONTACT AREA AND 100u" MIN. TIN PLATING OVER NICKEL ON SOLDER TAILS
2: 3u"GOLD PLATING OVER NICKEL ON CONTACT AREA AND 100u" MIN. TIN PLATING OVER NICKEL ON SOLDER TAILS
3: 10u"GOLD PLATING OVER NICKEL ON CONTACT AREA AND 100u" MIN. TIN PLATING OVER NICKEL ON SOLDER TAILS
4: 15u"GOLD PLATING OVER NICKEL ON CONTACT AREA AND 100u" MIN. TIN PLATING OVER NICKEL ON SOLDER TAILS
5: 30u"GOLD PLATING OVER NICKEL ON CONTACT AREA AND 100u" MIN. TIN PLATING OVER NICKEL ON SOLDER TAILS
8. SHELL PLATING
N: NICKEL PLATING
9. USB CONSTRUCT
3: SHELL FEET LENGTH:2.45mm
10. THE PIN CONNECTION FORM
A: 2,3 PIN SHORT CIRCUIT



RECOMMENDED P.C.B LAYOUT



SECTION: A-A



E				DRAWING: Henry 13.11.2
D				
C				CHECKED:
B				
A				APPROVAL:
NO.	DATE	DESCRIPTION	APPROVAL	

GENERAL TOLERANCE	
.X:±0.30	.X':±2°
.XX:±0.20	.XX':±1°
.XXX:±0.10	.XXX':±0.5°
UNIT: MM	PROJECTION:
SCALE: N/A	
SHEET: 1/1	



CHIN-BAN
electronics (H.K.) co., ltd

DESCRIPTION: USB 2.0 AF 90° DIP TYPE 2,3 PIN回路		
PART NO:	U1F04X-XXN-3A	REV: 1.0
DRAWING NO:	UK0053	SIZE: A4

1 2 3 4 5 6 7 8