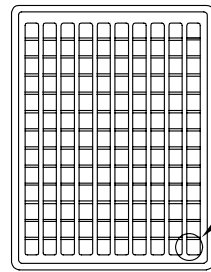
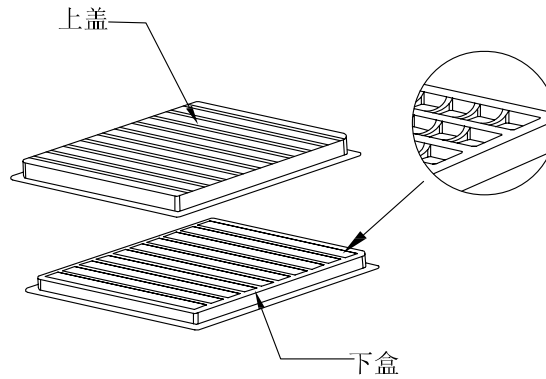
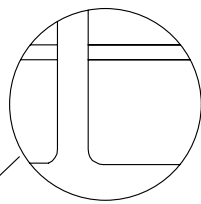


上盖

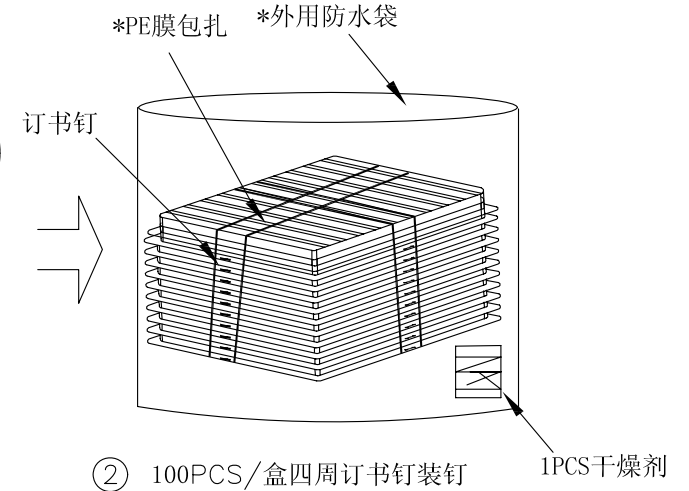


下盒



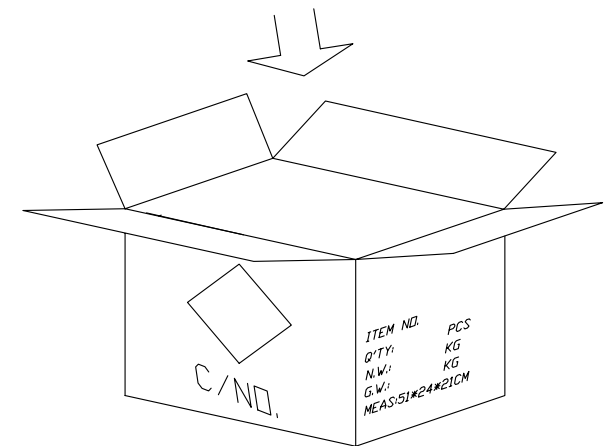
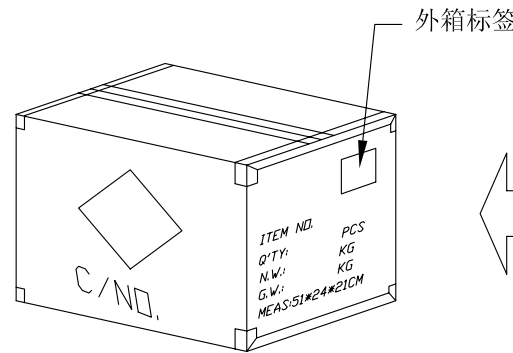
① PE真空盒 (set)

1. PE真空盒 (1Set)
2. 每盒装成品100pcs, 四周并用订书机装订,
3. 每箱装36盒 (3600pcs)
4. 纸箱尺寸 (L*W*H) 51.0*24.0*21.0cm



② 100PCS/盒四周订书钉装订

1PCS干燥剂



③ 若尾数箱在空间处加装填充物

5.0				DRAWING: Henry	GENERAL TOLERANCE			
4.0					.X:=±0.3	.X*:=±2°		
3.0				CHECKED:	.XX:=±0.20	.XX*:=±1°	DESCRIPTION: USB Connector A Type FEMALE DIP	
2.0					.XXX:=±0.100	.XXX*:=±0.5°		
1.0	15.7.23	NEW	Tian hai	APPROVAL:	UNIT: MM	PROJECTION:	PART NO: F-U1F04D-AXN-10	REV: 1.0
NO.	DATE	DESCRIPTION	APPROVAL		SCALE: 1/1	SHEET: 1/1		DRAWING NO: