

1 2 3 4 5 6 7 8

A

B

C

D

E

F

G

H

A

B

C

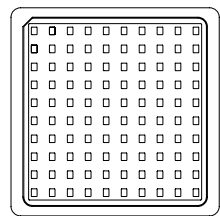
D

E

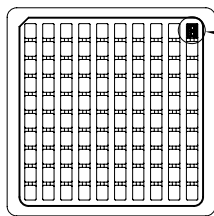
F

G

H

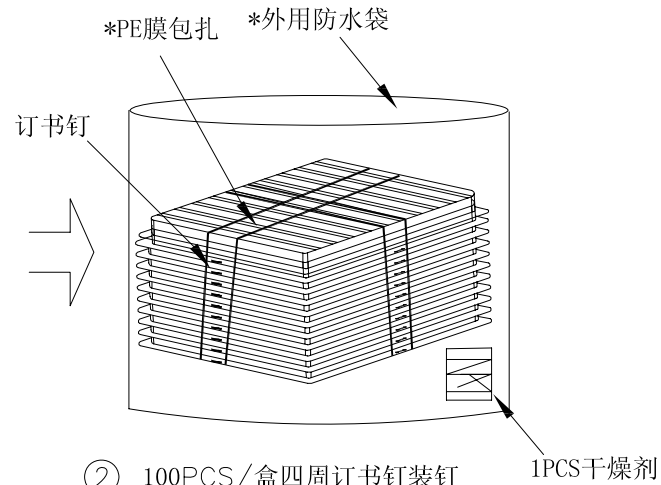
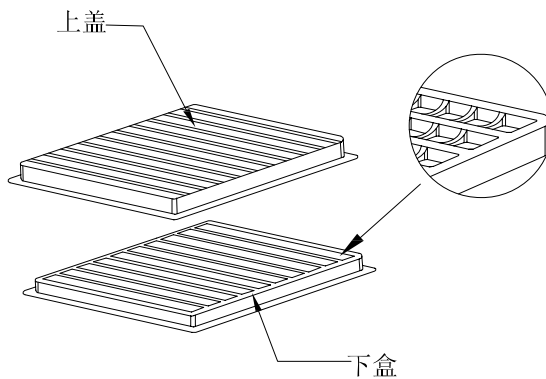


上盖



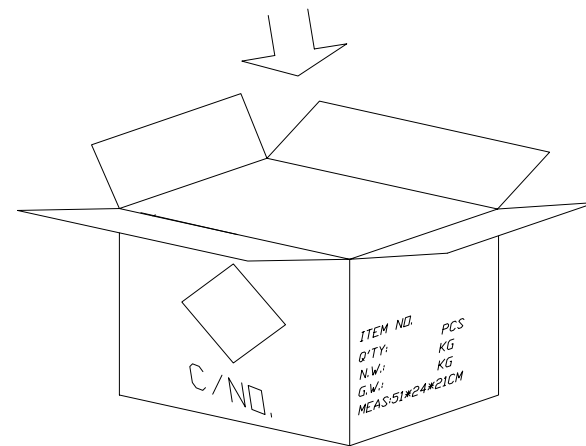
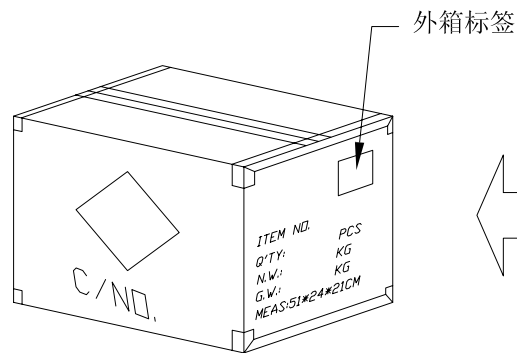
下盒

① PE真空盒 (set)




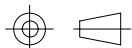
② 100PCS/盒四周订书钉装订

1PCS干燥剂



③ 若尾数箱在空间处加装填充物

1. PE真空盒 (1Set)
2. 每盒装成品100pcs, 四周并用订书机装订,
3. 每箱装36盒 (3600pcs)
4. 纸箱尺寸 (L*W*H) 51.0*24.0*21.0cm

5.0				DRAWING:	GENERAL TOLERANCE		 CHIN-BAN electronics (H.K) co., ltd	
4.0				Bains	.X:=±0.3	.X*:=±2*		
3.0				CHECKED:	.XX:=±0.20	.XX*:=±1*	DESCRIPTION:	
2.0					.XXX:=±0.100	.XXX*:=±0.5*		
1.0	15.7.30	NEW	Tian hai	APPROVAL:	UNIT: MM	PROJECTION:	PART NO: F-U1F04D-XXN-16	REV: 1.0
NO.	DATE	DESCRIPTION	APPROVAL		SCALE: 1/1		DRAWING NO: UT0067	SIZE: A4
					SHEET: 1/1			

1 2 3 4 5 6 7 8