

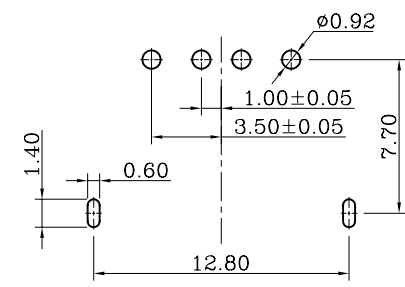
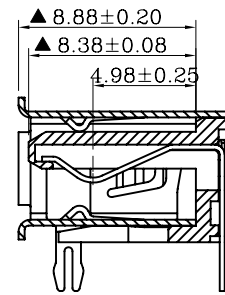
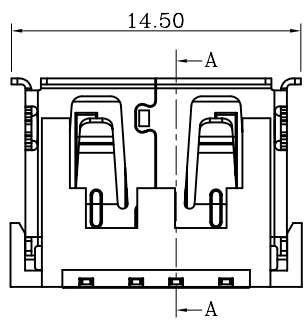
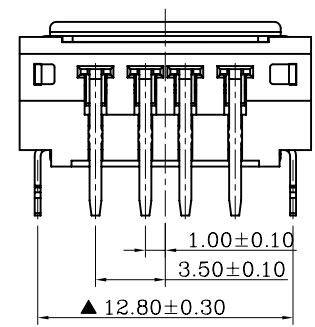
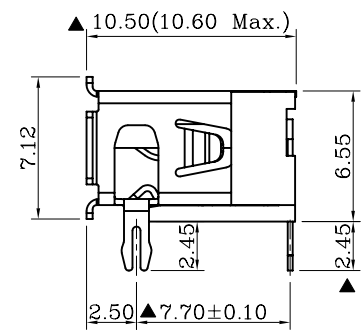
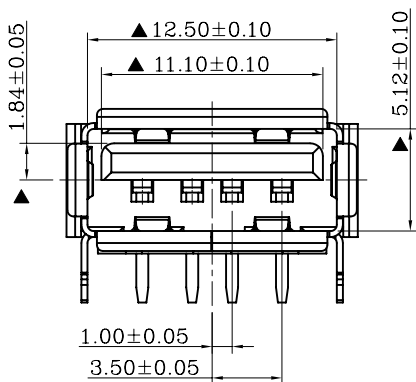
**MATERIAL SPECIFICATION:**  
 1. HOUSING:PBT/LCP PLASTIC(UL94V-0) COLOR:BLACK  
 2. CONTACT:PHOSPHOR BRONZE  
 3. SHELL:BRASS

**ELECTRICAL PERFORMANCE**  
 1. RATED VOLTAGE(MAX.):30V AC/DC  
 2. RATED CURRENT(MAX.):2.1A AC/DC  
 3. DIELECTRIC STRENGTH:500V AC FOR 1 MINUTE BETWEEN ADJACENT TERMINAL, NO BREAKDOWN  
 4. INSULATION RESISTANCE:1000 MEGOHMS MIN. 500V DC FOR 1 MINUTE BETWEEN ADJACENT TERMINAL  
 5. CONTACT RESISTANCE:30 MILLIOHM MAX.  
 6. OPERATING TEMPERATURE:-55° to +105°

**ORDERING INFORMATION**


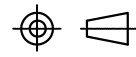
U 1 F 04 D - A 2 N - 3  
 (1)(2)(3) (4) (5) (6)(7)(8) (9)

- SERIES NO.  
U: USB CONNECTOR SERIES
- USB TYPE  
1: USB 4PIN A TYPE
- USB MALE & FEMALE TYPE  
F: FEMALE
- NUMBER OF PIN  
04: 4 POSITIONS
- TAIL CONSTRUCTION TYPE  
D: TERMINAL: DIP TYPE  
SHELL: DIP TYPE
- HOUSING MATERIAL  
A: MATERIAL:PBT,BLACK  
B: MATERIAL:LCP,BLACK
- CONTACT PLATING:  
1: GOLD FLASH OVER NICKEL ON CONTACT AREA AND 100u" MIN. TIN PLATING OVER NICKEL ON SOLDER TAILS  
2: 3u"GOLD PLATING OVER NICKEL ON CONTACT AREA AND 100u" MIN. TIN PLATING OVER NICKEL ON SOLDER TAILS  
3: 30u"GOLD PLATING OVER NICKEL ON CONTACT AREA AND 100u" MIN. TIN PLATING OVER NICKEL ON SOLDER TAILS  
4: 15u"GOLD PLATING OVER NICKEL ON CONTACT AREA AND 100u" MIN. TIN PLATING OVER NICKEL ON SOLDER TAILS
- SHELL PLATING  
N: NICKEL PLATING
- USB CONSTRUCT  
3: SHELL FEET LENGHT:2.45mm



SECTION:A-A

RECOMMENDED PCB LAYOUT

5				DRAWING:	GENERAL TOLERANCE		 <p><b>CHIN-BAN</b> electronics (H.K) co., ltd</p>	
4			Match	.X:±0.30	.X':±2°			
3			CHECKED:	.XX:±0.20	.XX':±1°			
2			Toms	.XXX:±0.10	.XXX':±0.5°			
1			APPROVAL:	UNIT: MM	PROJECTION:	DESCRIPTION:		
NO.	DATE	DESCRIPTION	APPROVAL	Felix	SCALE: 1/1		USB 2.0 Conn. Female A Type	
					SHEET: 1/1		PART NO: U1F04D-A2N-3	REV: 1.0
							DRAWING NO: P2U1F04D-A2N-3-01	SIZE: A4