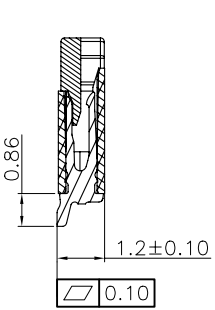
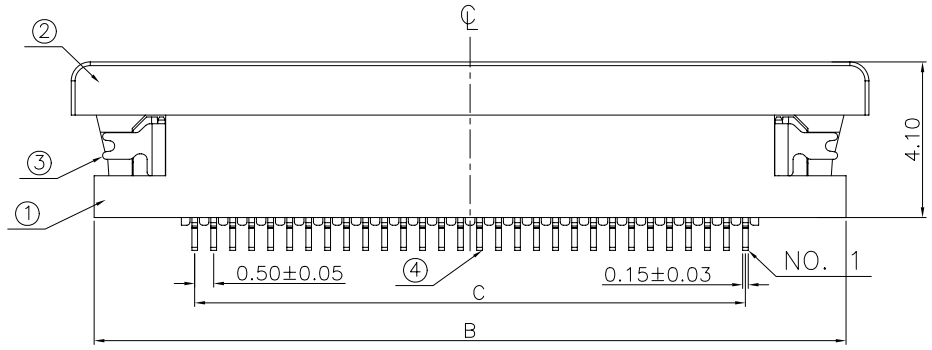
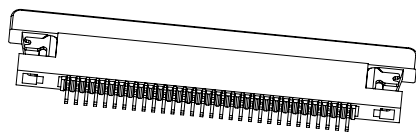
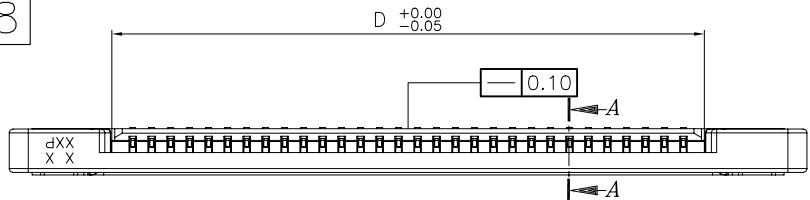
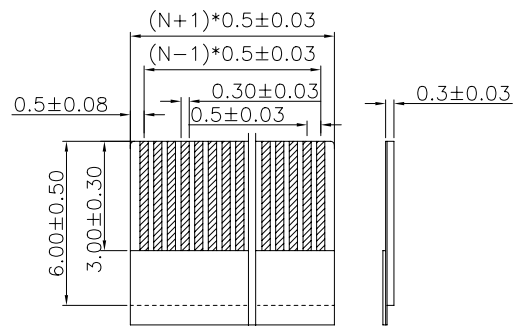
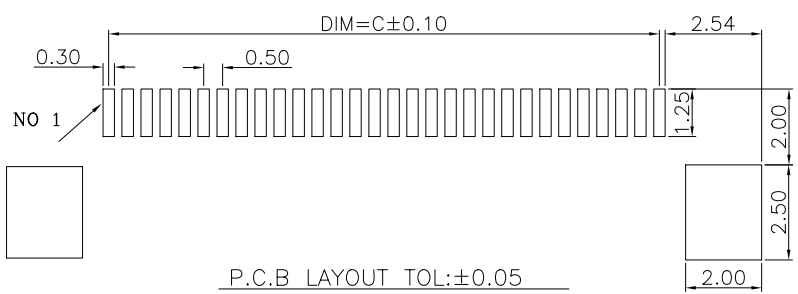
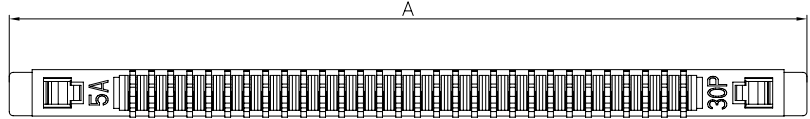


G018



NOTE:
 1.ALL MATERIAL MUST BE COMPLY WITH RoHS.
 2.PART NO. LEGEND:
 F2TXXU-A4X1-CRC3

- 1:ANCHOR-PLATE:TIN PLATING(80~160u")
- T:CONTACT:TIN PLATING(80~160u")
- 1:CONTACT:GF
- 2:CONTACT:Au 3u"
- 3:CONTACT:Au 5u"
- 4:CONTACT:Au 10u"
- 4:PULL:PA9T BLACK
- A:HOUSING:LCP WHITE
- XX:NO. OF POSITIONS
- T:UP CONTACT




▲ NO.OF POSITIONS DIM LIST:
 ▲ 代表可做的Pin数

PIN	DIM=A	DIM=B	DIM=C	DIM=D
40P	26.0	24.8	19.50	20.60
39P	25.5	24.3	19.00	20.10
38P	25.0	23.8	18.50	19.60
37P	24.5	23.3	18.00	19.10
36P	24.0	22.8	17.50	18.60
35P	23.5	22.3	17.00	18.10
34P	23.0	21.8	16.50	17.60
33P	22.5	21.3	16.00	17.10
32P	22.0	20.8	15.50	16.60
31P	21.5	20.3	15.00	16.10
▲ 30P	21.0	19.8	14.50	15.60
29P	20.5	19.3	14.00	15.10
▲ 28P	20.0	18.8	13.50	14.60
27P	19.5	18.3	13.00	14.10
26P	19.0	17.8	12.50	13.60
25P	18.5	17.3	12.00	13.10
▲ 24P	18.0	16.8	11.50	12.60
23P	17.5	16.3	11.00	12.10
▲ 22P	17.0	15.8	10.50	11.60
21P	16.5	15.3	10.00	11.10
▲ 20P	16.0	14.8	9.50	10.60
19P	15.5	14.3	9.00	10.10
▲ 18P	15.0	13.8	8.50	9.60
17P	14.5	13.3	8.00	9.10
▲ 16P	14.0	12.8	7.50	8.60
15P	13.5	12.3	7.00	8.10
▲ 14P	13.0	11.8	6.50	7.60
13P	12.5	11.3	6.00	7.10
▲ 12P	12.0	10.8	5.50	6.60
11P	11.5	10.3	5.00	6.10
▲ 10P	11.0	9.8	4.50	5.60
9P	10.5	9.3	4.00	5.10
▲ 8P	10.0	8.8	3.50	4.60
7P	9.5	8.3	3.00	4.10
▲ 6P	9.0	7.8	2.50	3.60
5P	8.5	7.3	2.00	3.10
4P	8.0	6.8	1.50	2.60
PIN	DIM=A	DIM=B	DIM=C	DIM=D

E				DRAWING:	Henry
D				CHECKED:	Tian hai
C				APPROVAL:	
B					
A					
NO.	DATE	DESCRIPTION	APPROVAL		

GENERAL TOLERANCE	
.X:=±0.30	.X':=±2°
.XX:=±0.25	.XX':=±1°
.XXX:=±0.15	.XXX':=±0.5°
UNIT: MM	PROJECTION:
SCALE: N/A	
SHEET: 1/1	



CHIN-BAN

electronics (H.K.) co., ltd

DESCRIPTION:
0.5mm PITCH FPC CONN. H1.2mm UP CONTACT

PART NO: F2TXXU-A4X1-CRC3 REV: 2.0

CUSTOMER NO:UK0028 SIZE: A4