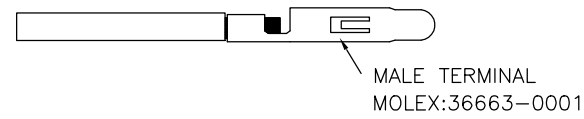
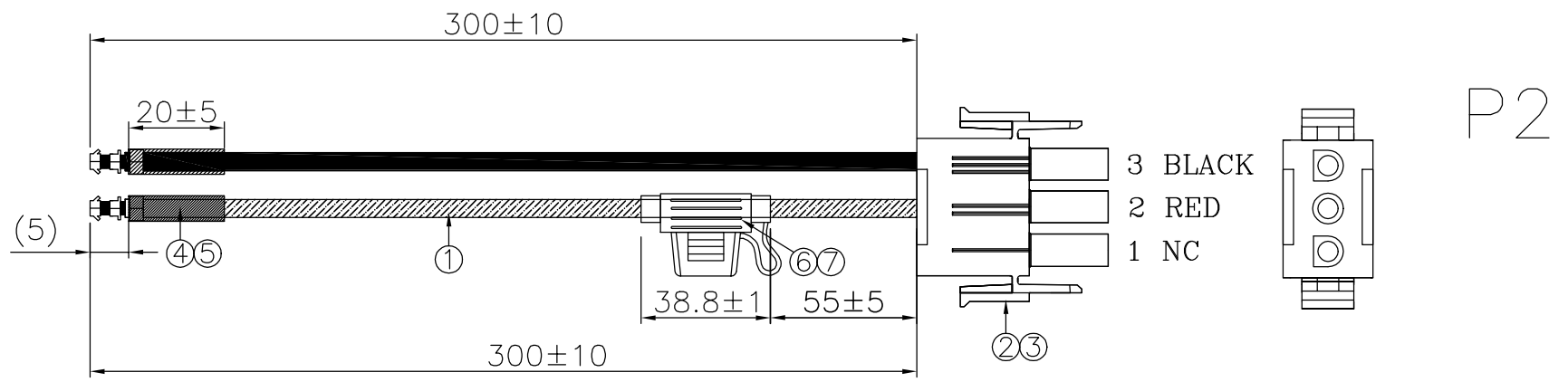


ROHS

NO.	DATE	DESCRIPTION	APPROVAL
X0	2016.12.12	New product	Ricky
X1	2017.04.25	Update drawing	wangyuan



NOTES:
 1.100% CONTINUNY TEST ANY OPEN OR MIS WIRE, SHORT OR INTERMITENCE ARE NOT PERMITTED,
 2.INSULATION RESISTANCE:DC200V/MINUTE, 20MΩ MIN.
 3.DIELECTRIC STRENGTH:250VAC/MINUTE, LEAKAGE CURRENT:1.0mA
 4.CONDUCTOR RESISTANCE:DC20mV,10mA, 1Ω MAX.
 5.USE OF PCB THICKNESS:1.6mm.

Item	Title	Specification	Q'TY	Note
⑦	FUSE	MINI BLADE FUSE RATED 32V 20A, YELLOW	1PCS	
⑥	MOLD	MINI FUSE HOUSING: PVC BLACK,	1PCS	
⑤	TUBE	SHRINK TUBE: 125°C 300V BLACK	2PCS	
④	TERMINAL	CRIMPING TERMINAL TIN-PLATED 12-10AWG	2PCS	
③	TERMINAL	CRIMPING MALE TERMINAL BRASS TIN-PLATED 12-10AWG	2PCS	
②	HOUSING	SINGLE ROW SOCKET PITCH:6.35mm*3PIN	1PCS	
①	WIRE	UL1015 12AWG 105°C 600V INSULATION:PVC RED	1PCS	
	WIRE	UL1015 12AWG 105°C 600V INSULATION:PVC BLACK	1PCS	

DRAWING: <i>Ricky</i> 2016.12.12	TOLERANCE .X:±1.0 .XX:±0.50 .XXX:±0.20		
CHECKED: <i>Ricky</i> 2016.12.12	DESCRIPTION: CABLE POWER BATTERY - MAIN BOARD		
APPROVAL: <i>Cykin</i> 2016.12.12	UNIT: MM	CUSTOMER NO:	REV: X1
	SCALE: N/A	PART NO: A-HSTR-35FN-H014	DEF.UK
	SHEET: 1/1	CUSTOMER P/N:	SIZE: A4
		LUM P/N:	