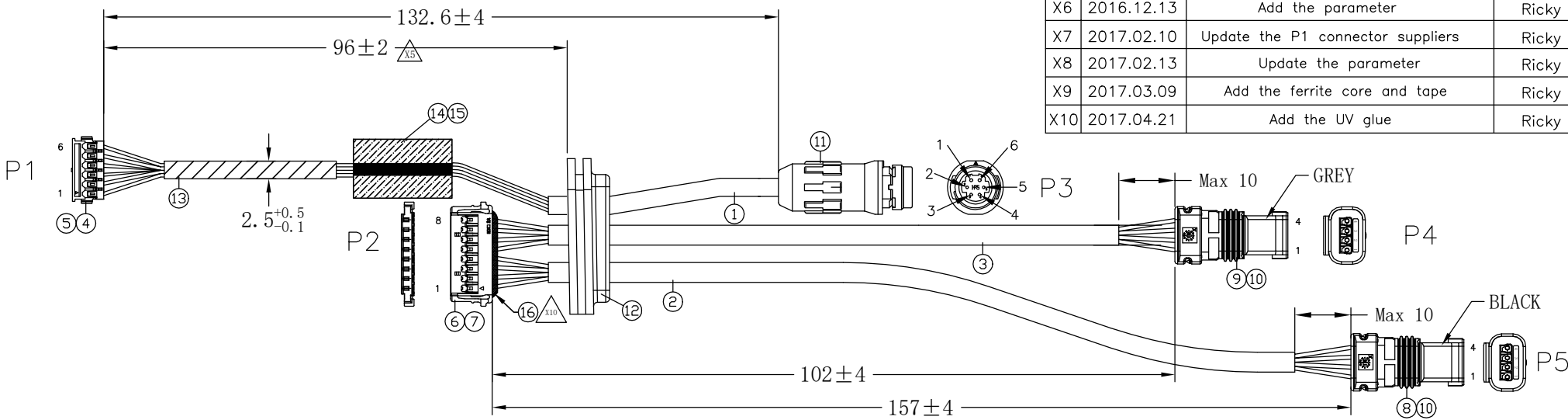


ROHS+REACH+邻苯19P+PAHS

REV.	DATE	DESCRIPTION	APPROVAL
X5	2016.12.03	Change the P4 end connector for gray	Ricky
X6	2016.12.13	Add the parameter	Ricky
X7	2017.02.10	Update the P1 connector suppliers	Ricky
X8	2017.02.13	Update the parameter	Ricky
X9	2017.03.09	Add the ferrite core and tape	Ricky
X10	2017.04.21	Add the UV glue	Ricky



ITEM	TITLE	SPECIFICATION	Q'TY	CHIN-BAN P/N
⑬	GLUE	UV GLUE: CLEAR ORANGE	A/R	X10
⑮	TAPE	POLYIMIDE FILM T=0.05mm	1PCS	X9
⑭	CORE	FERRITE CORE:12.2x5.0x18mm	1PCS	X9
⑬	TUBE	SHRINK TUBE: φ3.0x28mm BLACK	1PCS	
⑫	MOLD	SR: PVC 45P, UL94V-0, BLACK	A/R	
⑪	CONN	MINIATURE WATERPROOF CONNECTORS, BLACK,	1PCS	
⑩	TERMINAL	CRIMPING TERMINAL, PHOSPHOR BRONZE TIN-PLATED, 22-24AWG	8PCS	X1
⑨	HOUSING	NANO MQS, PITCH:1.8mm*4PIN, GREY	1PCS	X5
⑧	HOUSING	NANO MQS, PITCH:1.8mm*4PIN, BLACK	1PCS	
⑦	TERMINAL	CRIMPING TERMINAL, PHOSPHOR BRONZE GOLD-PLATED, 24-28AWG	8PCS	X1
⑥	HOUSING	SINGLE ROW, PITCH:1.5mm*8PIN, BLACK	1PCS	
⑤	TERMINAL	CRIMPING TERMINAL, PHOSPHOR BRONZE GOLD-PLATED, 28-30AWG	6PCS	X7
④	HOUSING	SINGLE ROW, PITCH:1.2mm*6PIN, BLACK)	1PCS	X7
③	CABLE	NON-UL 22AWGx4C(ORANGE,GREEN,GRAY,YELLOW), ID:1.1mm MAX INSULATION:PVC BLACK, OD:4.1mm -40°C~+90°C, 50V	1PCS	
②	CABLE	NON-UL 22AWGx4C(RED,GREEN,BROWN,YELLOW), ID:1.1mm MAX, INSULATION:PVC BLACK, OD:4.1mm -40°C~+90°C, 50V	1PCS	
①	CABLE	NON-UL 28AWGx6C(WHITE,BLACK,GREEN,YELLOW,RED,BLUE), ID:0.7mm MAX INSULATION:PVC BLACK, OD:4.9±0.15mm, -40°C~+90°C, 50V	1PCS	X8

P1	P3	COLOR	FUNCTION	P2	P4	P5	COLOR	FUNCTION	REMARK
1	3	WHITE	GND(-)	1	—	4	YELLOW	CAN low LP	low power
2	4	BLACK	GND(-)	2	—	2	GRAY	GND(-) LP	
3	5	YELLOW	CAN low	3	—	3	GREEN	CAN high LP	
4	2	GREEN	CAN high	4	—	1	ORANGE	VCC(+) LP	
5	1	RED	VCC(+)	5	4	—	YELLOW	CAN low HP	high power
6	6	BLUE	VCC(+)	6	2	—	BROWN	GND(-) HP	
				7	3	—	GREEN	CAN high HP	
				8	1	—	RED	VCC(+) HP	

NOTES:

- 100% CONTINUNY TEST ANY OPEN OR MIS WIRE, SHORT OR INTERMITENCE ARE NOT PERMITTED
- INSULATION RESISTANCE:20M OHMS MIN
- CONDUCTOR RESISTANCE:0.1Ω MAX
- TERMINAL/HOUSING RETERTION FORCE: 5N MIN.

DRAWING: <i>Ricky</i> 2016.04.29	TOLERANCE .X:=±0.20 .XX:=±0.10 .XXX:=±0.05 .X':=±2°		
CHECKED: <i>Ricky</i> 2016.04.29	DESCRIPTION: WIRE HARNESS		
APPROVAL: <i>Cykin</i> 2016.04.29	UNIT: mm	CUSTOMER:	REV: X10
	SCALE:N/A	CUSTOMER P/N:	DEF. UK
	SHEET:1/1	DRAWING NO: A-HSHS-45GP-B944	SIZE: A4